

CDS200 MOBILE WORSTATION



Workstation for mobility in your working space. It facilitates the workflow and enhances the max. efficiency with all functions in one stand-alone cart.

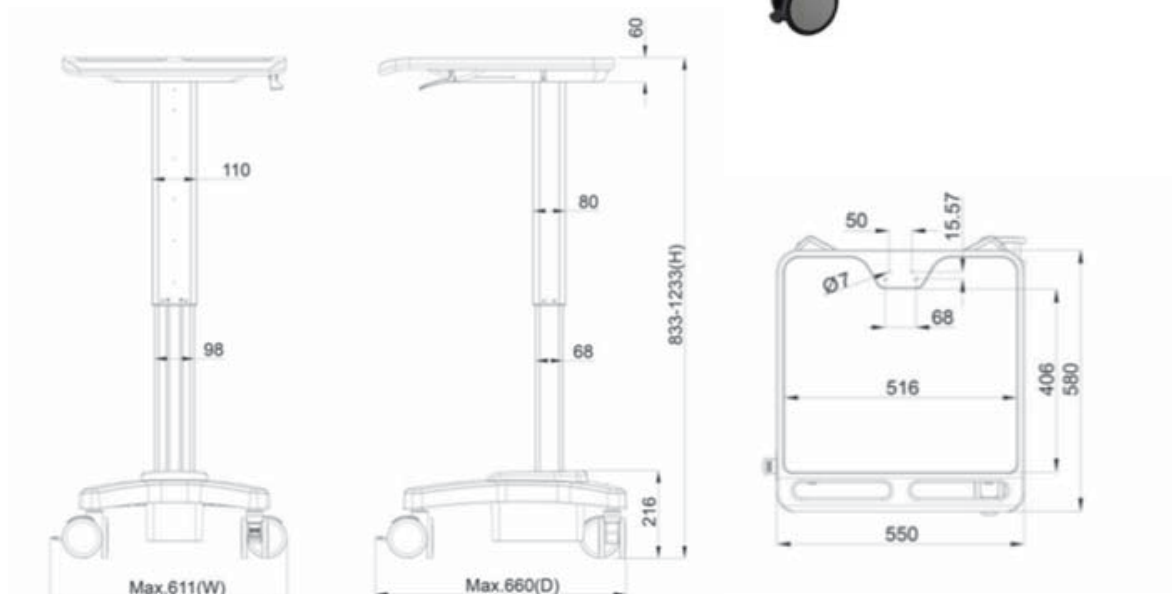
Overall Load Capacity	
CDS200	1~10 kg (2.2~22.05 lbs)
CDS200L	10~18 kg (22.05~39.68 lbs)

Complete System		
Net Weight	16.2 kg (35.72 lbs)	
Packaged Dimension	760 x 726 x 283 mm (29.92" x 28.58" x 11.14")	
Working Space		
Type	Desk	Open Workspace
Working Space	Dimension	517 x 406 mm (20.35" x 16")
Protection	Skidproof at edge	Yes
	Handle	Yes
Base System		
Caster	No.	4
	Locking / Brake	Front 2
	Low Noise	Yes
Main Lift	Height Adjust Ran	400 mm (15.7")
	*Locking the Display & Main Lift are always essential before the cart setting for move.	
Environmental		
RoHS/REACH Compliance	Yes	



Optional Accessories :

- a) Keyboard Tray
- b) Utility drawer





CNH01
with optional
Lockable Drawer

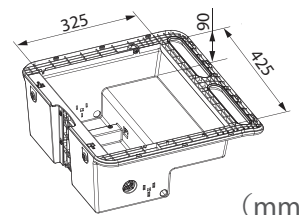
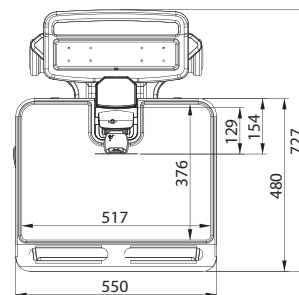
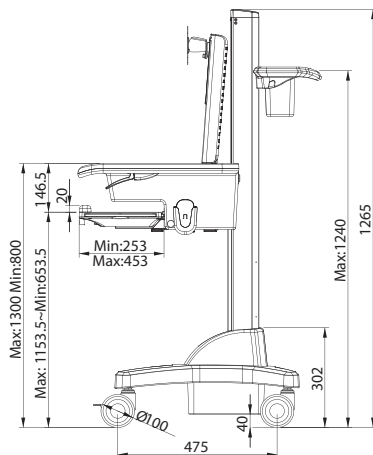
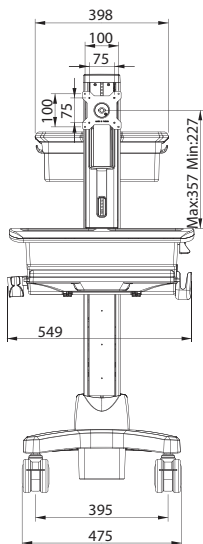
- The MOBILE MEDICAL CART
- > c/w Monitor Mount, with tilt, swivel rotation and height adjustable to 50cm, Professional Design with Ergonomic ExperToque™ Technology for Healthcare Industry
 - > Dual Monitor Mounting and Powered Models available
 - > for Monitor size of 15" to 24".
 - > Open workspace with capacity load of 7.5kg
 - > Keyboard tray (50 x 20cm)
 - > Mouse workspace (21 x 21cm)

Optional Accessories :

- a) CPU holder
- b) Lockable Utility drawer (set of 4 drawers)

It facilitates the workflow and enhances the max. efficiency with all functions in one stand-alone cart.

Suitable for Healthcare, Medical Care, Workstation and wherever needs mobility of equipment in your working space.



(mm)



with optional
CPU Holder

CSN01 MOBILE WORSTATION



It facilitates the workflow and enhances the max. efficiency with all functions in one stand-alone cart.

Suitable for Healthcare, Medical Care, Workstation and wherever needs mobility of equipment in your working space.

Heavy Duty Mobile Workstation on 4 castors,(2 brake), come with laptop gantry and laptop work surface

- Worktop size: 55cm(W) x 48cm(D)
with keyboard tray size 25cm(D) x 43cm(W) + 22cm
- Pneumatics height adjustable,
Display height adjustment 205mm,
Platform height 500mm/19.7", Tilt: -5° ~ +25° ,
load capacity 8kg, Pivot 360° ,
VESA: 75x75/100x100mm,
Screw type: M4, Material: Steel/Plastic
- Design with Ergonomic and Health care function
- Modern Workstation for Education, Medical and Commercial needs.



Optional Aecessories :

- a) CPU holder
- b) Lockable Utility drawer (set of 4 drawers)